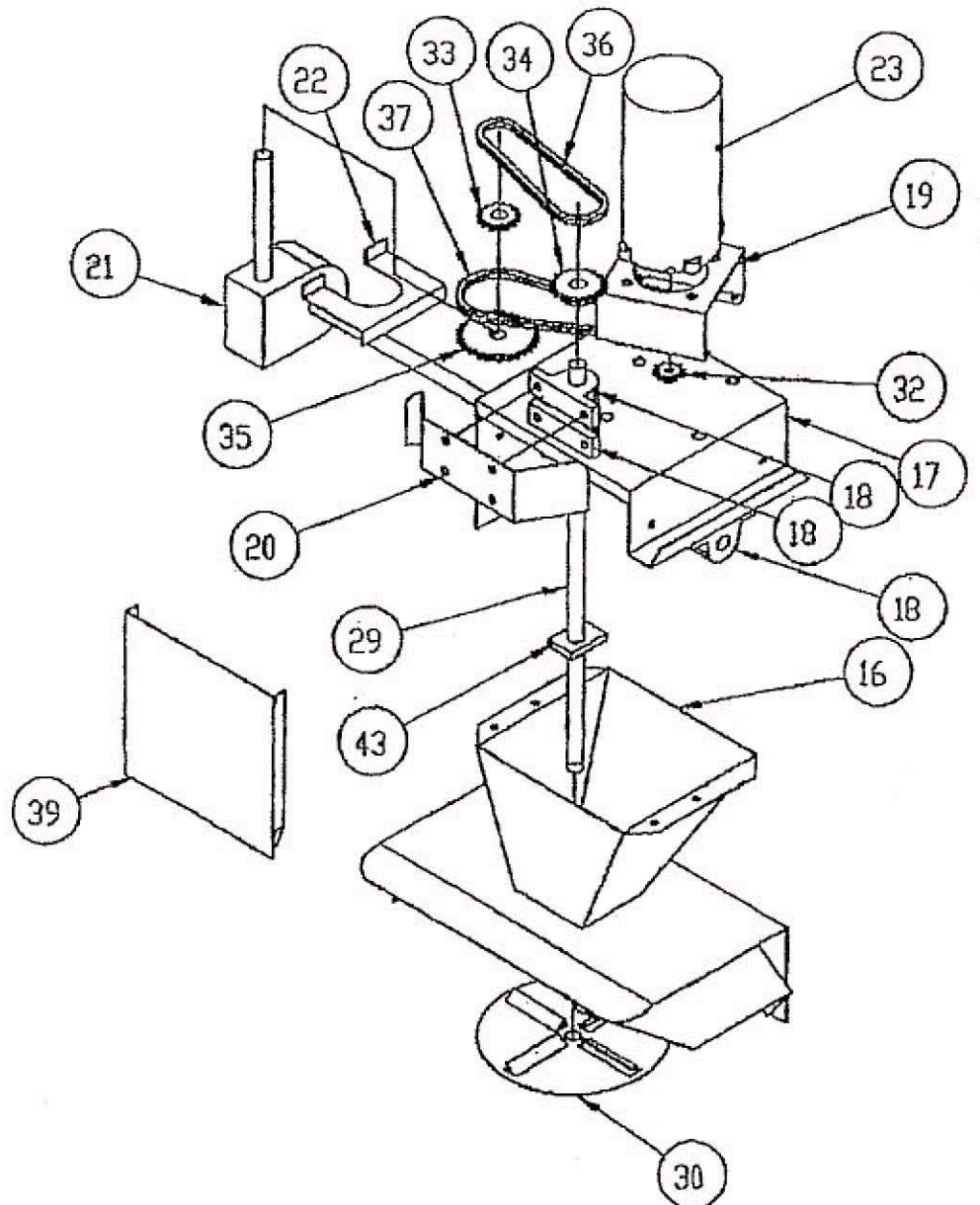
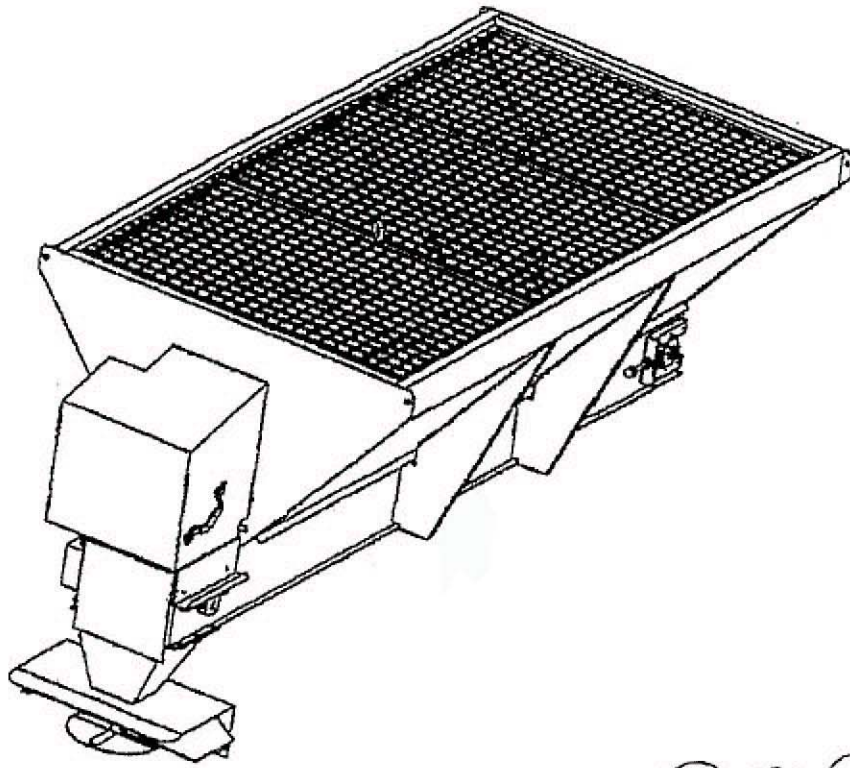


Stainless Steel Spreader (Sand & Salt)



Arctic Equipment Manufacturing Corporation
Stainless Steel Spreader (Sand and Salt)

R01

Item	Description
1	Side Panel (Left or Right)
2	Front Panel
3	Rear Panel
4	Conveyor Panel Left
5	Conveyor Panel Right
6	Left Support
7	Right Support
8	Conveyor Floor
9	Deflector
10	Top Screen
11	Take-up Slides
12	Take-up Bearing
13	Conveyor Shaft
14	Conveyor Sprocket
15	Conveyor Support
16	Complete Chute Ass'y
17	Rear Support
18	Pillow Block
19	Motor Support
20	Bearing Suuport
21	Gear Box 50:1
22	Chain Guard
23	Motor
24	Lid

Arctic Equipment Manufacturing Corporation
Stainless Steel Spreader (Sand and Salt)

R01

Item	Description
25	Door Slide
26	Brackets for Door Handle
27	Door Handle
28	Gate
29	Spinner Shaft
30	Spinner Disc
31	Inverted v
32	Motor Sprocket
33	Drive Sprocket for Spinner
34	Driven Sprocket for Spinner
35	Motor Driven Sprocket
36	Spinner Chain
37	Motor Chain
38	Conveyor Chain
39	Rear End Guard
40	Cross Member
41	Eye Bolt
42	Lid Bracket
43	Bearing Guide
44	Adjustable Rod
45	Electronic Drive System
46	In cab Control
47	Grey Connector 12vdc
48	4 or 6 Wire Connector to Connect Incab Control
49	Terminal Lug for Battery

Arctic Equipment Manufacturing Corporation
Stainless Steel Spreader (Sand and Salt)

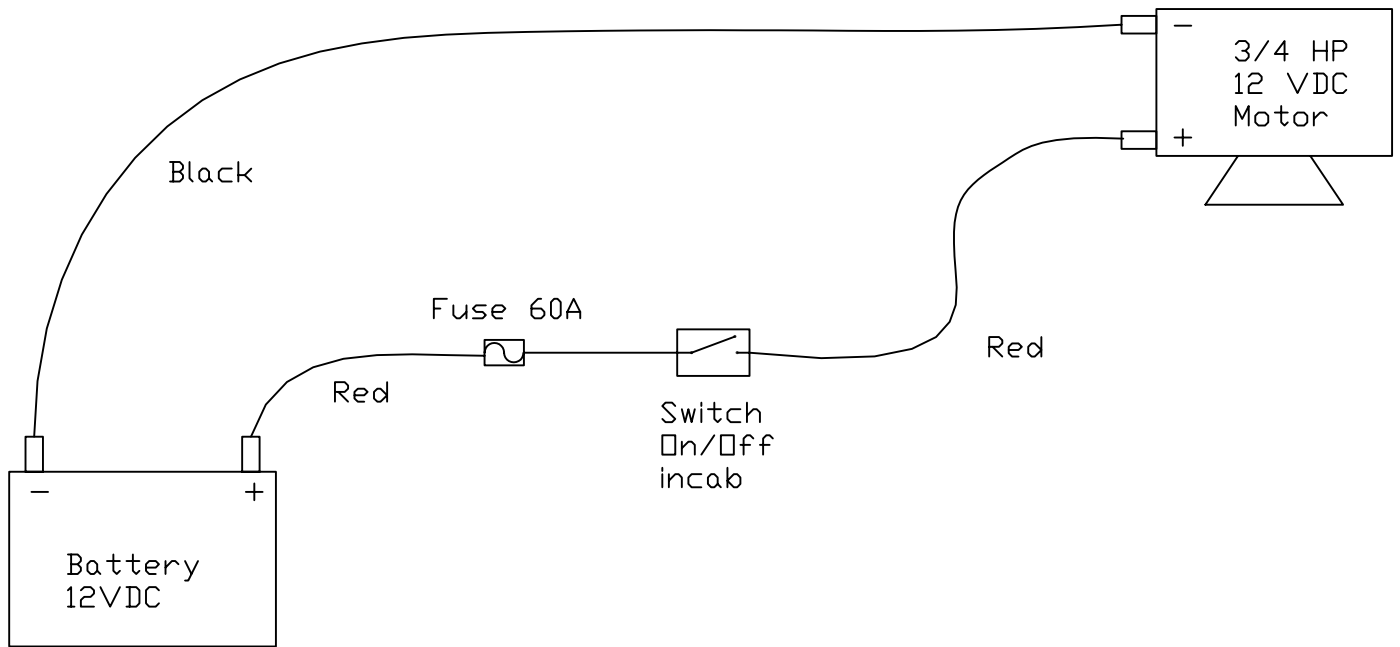
R01

Item	Description
50	Fuse Holder
51	Fuse 60 Amp
52	12 VDC Wiring Harness (from battery to sander)

Maintenance

- Sander must be stored empty
- On the end of season the transmission oil must be replaced (synthetic or semi-synthetic oil 75W90)
- Lubricate each bearing using standard bearing grease
- Sander must be sitting flat in truck box
- It is recommended on the end of season to remove conveyor chain and put in a lubricant, in order to avoid chain links to seize.

Stainless Steel Sander with On/Off Switch



Stainless Steel Sander with Variable Speed Control Box

