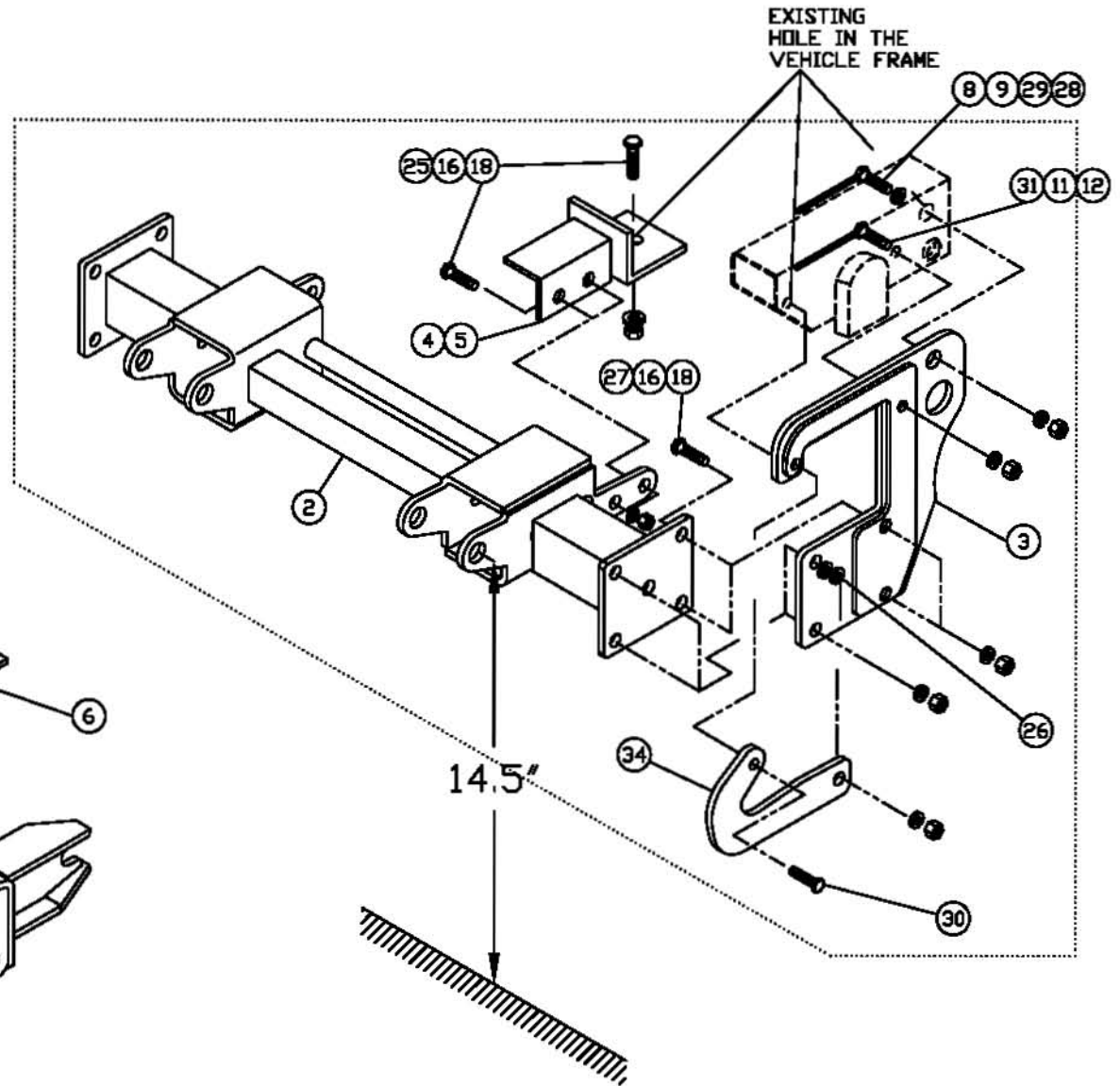
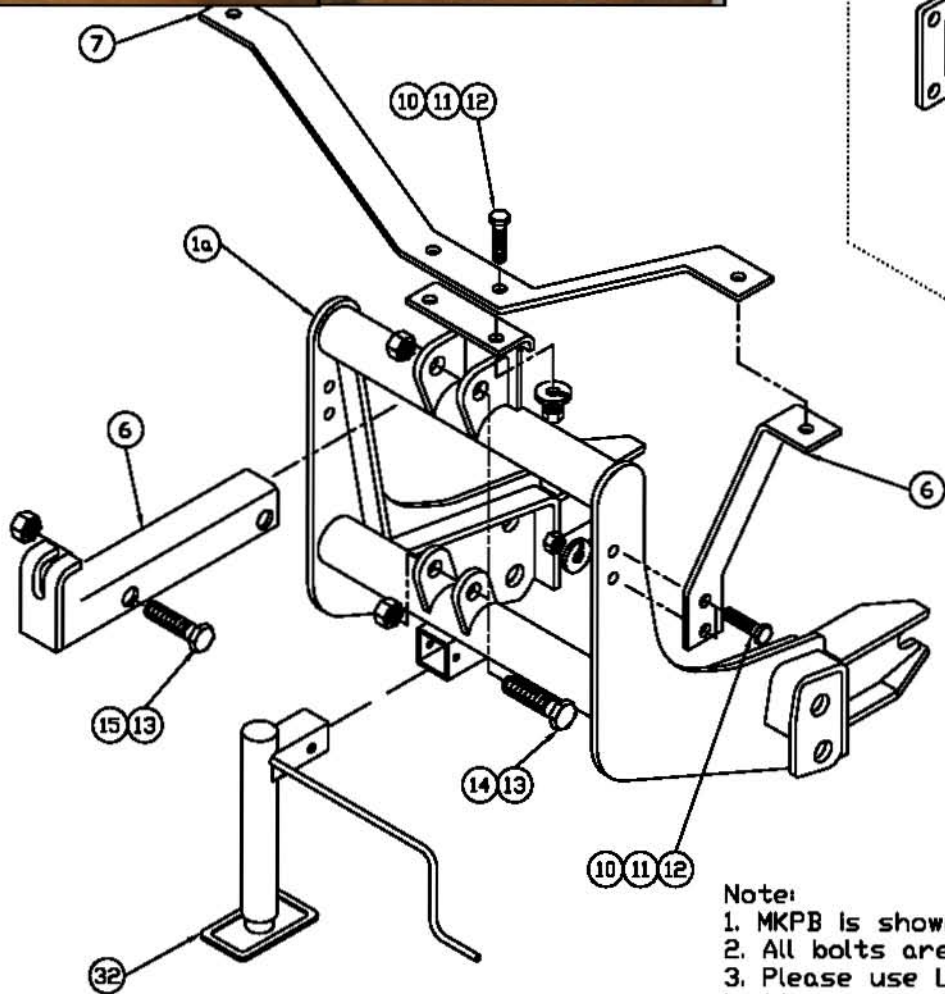


MOUNTING KIT
53432-MKPB
Hummer H2 4x4 2003 - 2010

(Note: For the snowplow lights this kit requires: 800037 (or 800037AXV) Light kit, 800038 Relay Kit and Adapter kit: 767052 Adapter Kit (vehicle's headlamp bulb H9007)

MOUNTING KIT 53432-MKPB-QLII



Note:
 1. MKPB is shown by dotted lines.
 2. All bolts are included in MKPB
 3. Please use LOCTITE®, or similar locking product on ALL mounting hardware (bolts, nuts, etc.).

Arctic Equipment Manufacturing Corporation
Mounting kit 53432-MKPB

53432-MKPB R00

Mounting Kit 53432-MKPB				
Item	Part #	Description	MKPB-QLII	QLII-MKB
1a	53170-D-GA	Lift Frame, QUIK*LINK ® II Galvanized		1
2	53436-C	Spreaderbar	1	
3	53435-01/02-B	Side Plate	2	
4	53438-B	Thrust Arm DS	1	
5*	53439-B	Thrust Arm LS	1	
6	50069-C-GA	Lift Channel Galvanized		1
7	52209-B-GA	Light Antler Galvanized		1
8		20mm x 2" Bolt Weldment 10" handle	2	
9	HH-00932-008	20mm Flatwasher	2	
10	HH-00972-090	½"x1 ½" Bolt	6	
11	HH-00457-001	½" Lock washer	8	
12	HH-00460-002	½" Hex Nut	8	
13	HH-00973-007	¾" Thin Collar Locknut	3	
14	HH-00972-153	¾"x3 ½" Bolt	2	
15	HH-00972-149	¾"x2 ½" Bolt	1	
16	HH-00457-003	5/8" Lock washer	14	
18	HH-00460-001	5/8" Hex Nut	14	
20	52348-M	Mounting Pin, Ass'y		2
21*	HH-00293-006	1/4"x1" Bolt	4	

Arctic Equipment Manufacturing Corporation

53432-MKPB R00

Mounting kit 53432-MKPB

Mounting Kit 53432-MKPB				
Item	Part #	Description	MKPB-QLII	QLII-MKB
22*	HH-00457-006	1/4" Lock washer	4	
23*	HH-00341-002	1/4" Flat washer	4	
24*	HH-00294-001	1/4" Hex Nut	4	
25	HH-00972-129	5/8"x1 3/4" Bolt	6	
26	HH-00341-008	5/8" Flat washer	4	
27	HH-00972-131	5/8"x 2 1/4" Bolt	8	
28	HH-00028-011	20mm Nut	2	
29	HH-00933-008	20mm Lock Washer	2	
30	HH-00909-034	12 mm x 60 mm HHCS	2	
31	52575-06-A	1/2" x 1 1/2" welded bot with 10" handle	2	
32	52373-M	Jack Assembly		1
33	50999-B	Blade guides		2
34	53441-A	Front Support Plate	2	

QUIK*LINK is a trademark of Arctic Equipment Manufacturing Corporation

Note: * These items are not shown on the drawing.

GENERAL

Customer must be aware of following:

Arctic Equipment Manufacturing Corporation (Arctic) does not assume liability for damage to your motor vehicle resulting from the attachment or use of an Arctic snowplow. The purchaser assumes all vehicle risk associated with the attachment and operation of this snowplow.

The Arctic snowplow you purchase must be used only on vehicles equipped with the manufacturer's snow plow preparation package. Snow plowing without the original plow preparation package may damage your vehicle. The added weight may impair the operation and control of your vehicle. Snow plowing with a vehicle not recommended for that purpose by the manufacturer may void your new vehicle warranty. If your vehicle is not equipped with an original snow plow preparation package, additional equipment may be necessary before snow plowing. Please consult your vehicle and snowplow dealer's prior to the purchase and installation of the snowplow. The installation of such parts however is not a full substitute for the original equipment snowplow preparation package.

Before drilling any holes in the firewall or frame, move brake lines, fuel lines and/or electrical wiring from the path of the drill. All bolts should be installed from the inside of the truck frame so that the lock washers and nuts are accessible for re-tightening.

If a slotted hole in the truck frame is utilized, then a flat washer must be used under the bolt head. If a flat washer is used under a lock washer use LOCTITE #242. Also use this LOCTITE #242 if existing (vehicle) bolts and nuts are used.

General order of installation:

- install all components (mounting bracket, thrust arm and spreader bar) and all fasteners finger tight (snug) through existing holes,
- drill necessary holes and
- tighten all hardware.



After first use, re tighten all mounting bolts; thereafter check mounting bolt tightness periodically.

Before proceeding, read instructions carefully and familiarize yourself with the components and hardware.

INSTALLATION INSTRUCTIONS

1. Remove the bumper from the truck.
2. Do not tighten any hardware until instructed to do so.
3. Install the side plate (3). Use a front bolt 12 mm (30) (tow hook) and bolt with welded handle (8), flat washer (9), lock washer (29) and nut (28) to secure the side plate to a vehicle frame. Drill 17/32" hole in the vehicle frame using 1/2" hole as a guide in the side. Install 1/2" bolt with welded handle (31) and secure with, 1/2" lockwasher (11) and 1/2" nut (12).
4. Install the spreaderbar (2) to the side plates using 5/8" x 2-1/4" bolts, locknuts and nuts (27)(16)(18).
5. Attach thrust arm (4)(5) to the spreaderbar (2) using 5/8" bolts (25), 5/8" lock washer (16), and 5/8" hex nuts (18) and to the bottom of vehicle cross member using 5/8" bolt (8), lock washer (16), and hex nut (18).
6. Install a bumper.
7. Install the plate (34) as shown on the picture (drawing) secure on the top with 12 mm bolt (30) and 5/8" bolt (27) and two 5/8" flat washers (26), 5/8" lockwasher (16) and 5/8" nut (18).
8. Tighten all hardware.
9. Install lift frame (1a)(1b). Slide inside of the mounting bracket (2). Insert the mounting pin (20) in the top hole and secure with the lynch pin.
10. Install light antler (7) and light braces (3) using 1/2" x 1 1/2" bolts (10), 1/2" lockwashers (11), and 1/2" hex nuts (12). Install lights so that the light mounting stud goes through both the antler (7) and the light brace (3). Tighten all light mounting hardware.
11. Install lift channel (6) and front mounting pump (from hydraulic kit) to lift frame (1a)(1b) using 3/4" x 3 1/2" bolts (14), and 3/4" locknuts (13). Use 3/4" x 2 1/2" bolt (15) and 3/4" locknut (13) to attach lift channel (6) to front mount pump (or lift cylinder). *Do not over tighten as this assembly must be able to pivot.*

13. Use 1/4"x1" bolt (22), 1/4" flat washer (24), 1/4" lock washer (23) and 1/4" hex nut (25) to fasten blade guides to blade.
14. Return any unused items to the customer so that the vehicle can be returned to its original condition if the snowplow is removed.
15. See separate installation instructions for the hydraulic pump and headlight kit.

TORQUE CHART (FT. LB.)		
SIZE	GRADE 5 BOLT 	GRADE 8 BOLT 
$\frac{1}{4}$ - 28	8	11
$\frac{5}{16}$ - 24	15	22
$\frac{3}{8}$ - 24	28	40
$\frac{7}{16}$ - 20	44	63
$\frac{1}{2}$ - 20	69	97
$\frac{5}{8}$ - 18	138	195
$\frac{3}{4}$ - 16	241	341
<small>Note: Torque values are for plated bolts only</small>		