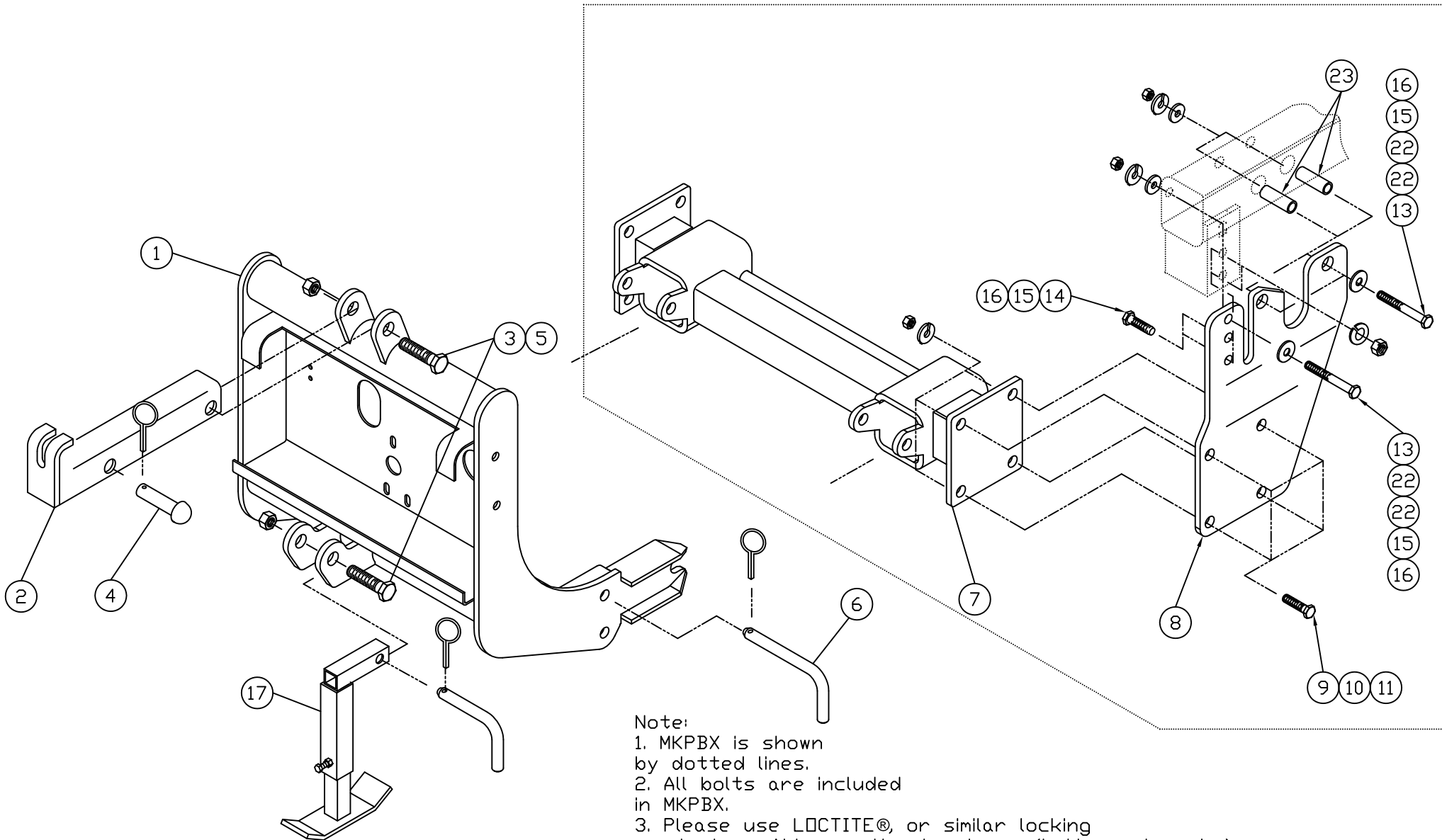


MOUNTING KIT

53255-MKPBX

Jeep Rubicon (4 x 4) (2007-2012)
JK Wrangler (4 x 4) (2007-2012)

MOUNTING KIT 53255-MKPBX



Note:
 1. MKPBX is shown by dotted lines.
 2. All bolts are included in MKPBX.
 3. Please use LOCTITE®, or similar locking product on ALL mounting hardware (bolts, nuts, etc.).

Arctic Equipment Manufacturing Corporation
 Mounting kit 53255-MKPB

53255-MKPB R04
 INST0143

Mounting Kit 53255-MKPBX				
Item	Part #	Description	MKPBX	X-MKB
1	52638-D-GA	Lift Frame Galvanized		1
2	50069-C-GA	Lift Channel Galvanized		1
3	HH-00972-153	3/4"x3 1/2" UNF Cap screw	2	
4	52757-M	Rivet Ass'y (rivet & lynch pin)		1
5	HH-00973-007	3/4" UNF Thin Collar Lock nut	2	
6	1302045	Pin assembly		2
7	52777-D	Spreader bar (33.25")	1	
8	53256-01-C	Mounting plate driver side	1	
8a*	53256-02-C	Mounting plate curb side	1	
9	HH-00972-129	5/8" x 1 3/4" UNF Cap Screw	8	
10	HH-00457-003	5/8" Lock washer	8	
11	HH-00460-001	5/8" Hex Nut	8	
13	HH-00972-100	1/2" x 4 UNF Cap Screw	6	
14	HH-00972-090	1/2" x 1 1/2 UNF Cap Screw	4	
15	HH-00460-002	1/2" Hex nut	10	
16	HH-00457-001	1/2" Lock washer	10	
17	52671-M	Jack Assembly (with lynch pin)		1
18*	HH-00293-006	1/4"x1" UNC Cap screw	4	

Mounting Kit 53255-MKPBX				
Item	Part #	Description	MKPBX	X-MKB
19*	HH-00294-001	1/4" Hex Nut	4	
20*	HH-00457-006	1/4" Lock washer	4	
21*	50999-B	Blade Guides		2
22	HH-00341-006	1/2" Flat washer	12	
23	53259-N	Pipe sleeve 2.675"	4	

Note: * These items are not shown on the drawing.

GENERAL

Customer must be aware of following:

Arctic Equipment Manufacturing Corporation (Arctic) does not assume liability for damage to your motor vehicle resulting from the attachment or use of an Arctic snowplow. The purchaser assumes all vehicle risk associated with the attachment and operation of this snowplow.

The Arctic snowplow you purchase must be used only on vehicles equipped with the manufacturer’s snow plow preparation package. Snow plowing without the original plow preparation package may damage your vehicle. The added weight may impair the operation and control of your vehicle. Snow plowing with a vehicle not recommended for that purpose by the manufacturer may void your new vehicle warranty. If your vehicle is not equipped with an original snow plow preparation package, additional equipment may be necessary before snow plowing. Please consult your vehicle and snowplow dealers prior to the purchase and installation of the snowplow. The installation of such parts however is not a full substitute for the original equipment snowplow preparation package.

Before drilling any holes in the firewall or frame, move brake lines, fuel lines and/or electrical wiring from the path of the

drill. Brake and fuel lines must also be clear of any fasteners.

All bolts should be installed from the inside of the truck frame so that the lock washers and nuts are accessible for re-tightening (where it is possible).

If a slotted hole in the truck frame is utilized, then a flat washer must be used under the bolt head. If a flat washer is used under a lock washer use LOCTITE #242. Also use LOCTITE #242 if existing (vehicle) bolts and nuts are used.

General order of installation:

- install all components (mounting bracket, thrust arms) and all fasteners finger tight (snug) through existing holes,
- drill necessary holes and
- tighten all hardware.

After first use, re-tighten all mounting bolts, thereafter check mounting bolt tightness periodically and at the start of the season.



Before proceeding, read instructions carefully and familiarize yourself with the components and hardware.

INSTALLATION INSTRUCTIONS

1. Remove splash pan. Remove (cut) front bracket to have access to install spreader bar. See pictures below.
2. Install mounting bracket (8)(8a) using two ½"x 1 ½" screw (14), and secure with ½" lock washer (15) and ½" nut (16). Drill three 17/32" hole in the vehicle frame using three top holes in the mounting bracket (8)(8a) as guides **(before drilling any holes in the firewall or frame, move brake lines, fuel lines and/or electrical wiring from the path of the drill; brake and fuel lines must also be clear of any fasteners)**. In the front hole install ½"x 4" screw (13), two flat washers (22), lock washer (15) and nut (16). For two back holes drill 27/32" hole in the vehicle frame from the one side only using holes in mounting bracket as guides (**do not** drill through). Insert pipe sleeves (23) and secure them with ½"x 4" screw (13), two flat washers (22), lock washer (15) and nut (16). See pictures below.
3. Install spreader bar (7) using 8 bolts 5/8" x 1 3/4" (9), lock washer (10) and nut (11). Torque all fasteners according to torque

chart.

4. Install lift frame (1). Slide lift frame (1) inside of spreader bar (7). Insert mounting pin (6) in top holes of the spreader bar (7).
5. Fasten lift channel (2) and lift cylinder to the lift frame (1) using 3/4"x3 1/2" bolts (3) and 3/4" locknut (5). Use 3/4" rivet and lynch pin (4) to attach lift cylinder (lift cylinder needs to be installed after power unit is installed). NOTE: *Do not over tighten as this assembly must be able to pivot.*
6. Use 1/4"x1" bolt (18), 1/4" lock washer (20) and 1/4" hex nut (19) to fasten blade guides (21) to plow.
7. See separate installation instructions for the hydraulic pump, wiring and controls.

TORQUE CHART (FT. LB.)		
SIZE	GRADE 5 BOLT 	GRADE 8 BOLT 
1/4 - 28	8	11
5/16 - 24	15	22
3/8 - 24	28	40
7/16 - 20	44	63
1/2 - 20	69	97
5/8 - 18	138	195
3/4 - 16	241	341
Note: Torque values are for plated bolts only		

