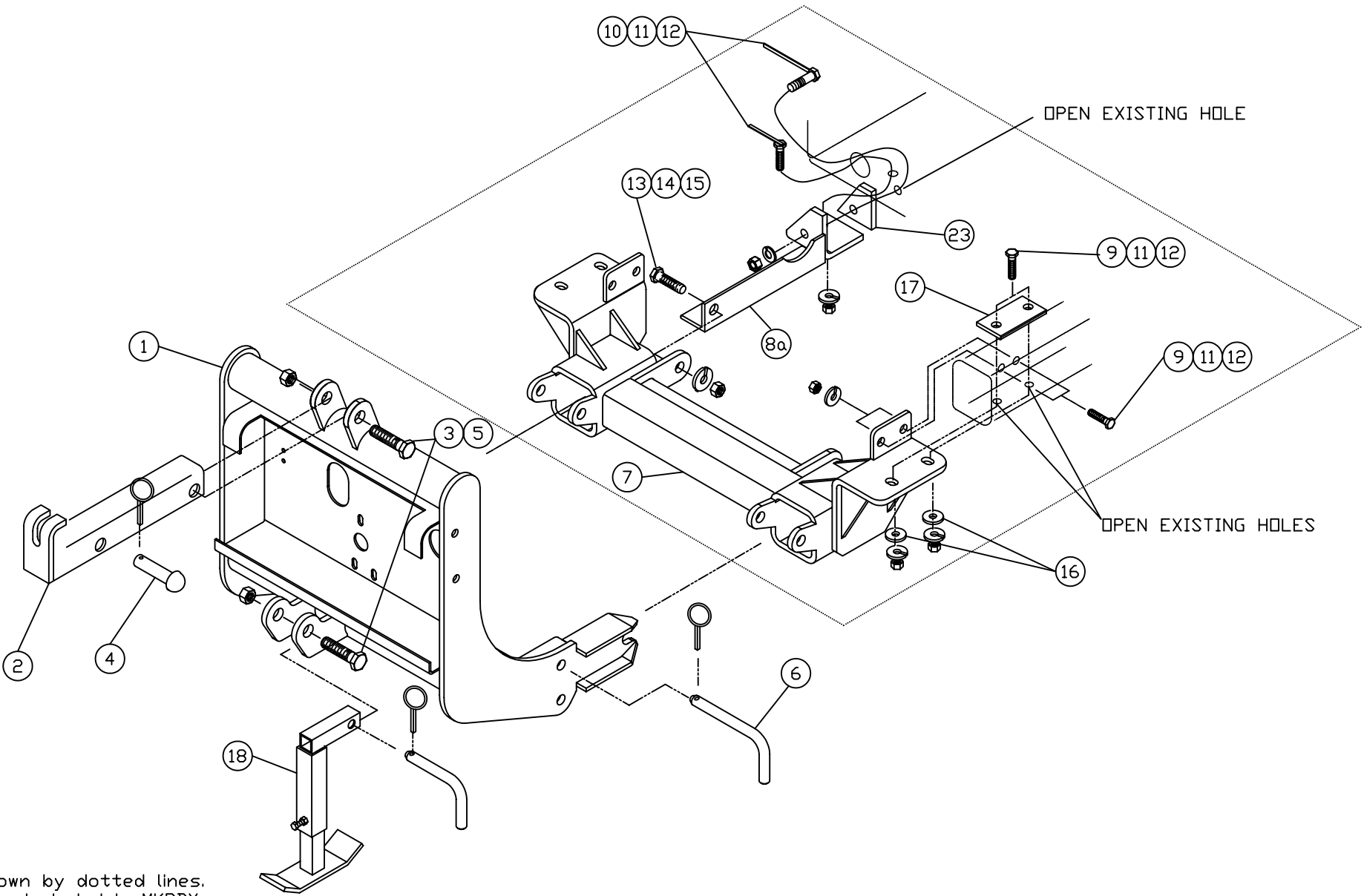


MOUNTING KIT

Chev S10 ZR2 (4x4) (1998 - 2003)

53117-MKPBX

MOUNTING KIT 53117-MKPBX



Note:
 1. MKPBX is shown by dotted lines.
 2. All bolts are included in MKPBX.

Arctic Equipment Manufacturing Limited

Mounting kit 53117-MKPBX

53117-MKPBX R00

INST0082

Mounting Kit 53117-MKPBX				
Item	Part #	Description	MKPBX	X-MKB
1	52638-D	Lift Frame		1
2	50069-C	Lift Channel		1
3	HH-00972-153	3/4"x3 1/2" UNF Capscrew	2	
4	52757-M	Rivet Ass'y (rivet & lynch pin)		1
5	HH-00973-007	3/4" UNF Thin Collar Locknut	2	
6	1302045	Pin assembly		2
7	53118-D	Mounting Bracket	1	
8*	52689-01-B	Thrust Arm Driver Side	1	
8a	52689-02-B	Thrust Arm Curb Side	1	
9	HH-00972-090	1/2"-20 x 1 1/2" UNF Hex Head Cap Screw	8	
10	52575-A	1/2" Bolt Weldment 6"handle	4	
11	HH-00457-001	1/2" Lockwasher	12	
12	HH-00460-002	1/2"-20 UNF Hex Nut	12	
13	HH-00972-129	5/8"-18 x1 3/4 UNF Hex Head Cap Screw	2	
14	HH-00457-003	5/8" Lockwasher	2	
15	HH-00460-001	5/8"-18UNF Hex Nut	2	
16	HH-00341-006	1/2" Flatwasher	4	

Arctic Equipment Manufacturing Limited

Mounting kit 53117-MKPBX

53117-MKPBX R00

INST0082

Mounting Kit 53117-MKPBX				
Item	Part #	Description	MKPBX	X-MKB
17	52064-A	Backing Plate	2	
18	52671-M	Jack Assembly (with lynch pin)		1
19*	HH-00293-006	1/4"x1" UNC Capscrew	4	
20*	HH-00294-001	1/4" Hex Nut	4	
21*	HH-00457-006	1/4" Lockwasher	4	
22*	50999-B	Blade Guides		2
23	53135-A	Spacer	2	

Note: * These items are not shown on the drawing.

GENERAL

Customer must be aware of following:

Arctic Equipment Manufacturing Limited (Arctic) does not assume liability for damage to your motor vehicle resulting from the attachment or use of an Arctic snowplow. The purchaser assumes all vehicle risk associated with the attachment and operation of this snowplow.

The Arctic snowplow you purchase must be used only on vehicles equipped with the manufacturer's snow plow preparation packages. Snow plowing without the original plow preparation package may damage your vehicle. The added weight may impair the operation and control of your vehicle. Snow plowing with a vehicle not recommended for that purpose by the manufacturer may void your new vehicle warranty. If your vehicle is not equipped with an original snow plow preparation package, additional equipment may be necessary before snow plowing. Please consult your vehicle and snowplow dealers prior to the purchase and installation of the snowplow. The installation of such parts however is not a full substitute for the original equipment snowplow preparation package.

Before drilling any holes in the firewall or frame, move brake lines, fuel lines and/or electrical wiring from the path of the drill. Brake and fuel lines must also be clear of any fasteners.

All bolts should be installed from the inside of the truck frame so that the lockwashers and nuts are accessible for retightening (where it is possible).

Do not use flatwasher under lockwasher. If a slotted hole in the truck frame is utilized, then a flatwasher must be used under the bolt head. If a flatwasher is used under a lockwasher use LOCTITE #242. Also use LOCTITE #242 if existing (vehicle) bolts and nuts are used.

General order of installation:

- install all components (mounting bracket, thrust arms) and all fasteners finger tight (snug) through existing holes,
- drill necessary holes and
- tighten all hardware.

After first use, retighten all mounting bolts, thereafter check mounting bolt tightness periodically and at the start of the season.



For easier installation, grind only the paint out of the top holes of the mounting bracket and the top hole of the lift frame, where the mounting pins will go.

Before proceeding, read instructions carefully and familiarize yourself with the components and hardware.

INSTALLATION INSTRUCTIONS

1. DO NOT REMOVE bumper from truck. Remove tow hooks and plastic splash pan.
2. Open two holes in the vehicle frame (tow hook is attached to the vehicle frame through these holes) to 17/32" on each side of vehicle frame. Locate the backing plate (17) inside the truck frame and fasten mounting bracket (7) to the backing plate (17) with two bolts 1/2" x 1 1/2" (9), 1/2" flatwasher (16), 1/2" lockwasher (11) and 1/2" nut (12). Finger tighten all fasteners that mounting bracket (7) is tight up against the truck frame.
3. Drill two 17/32" holes in each side of vehicle frame using holes in mounting bracket (7) as guide. Insert two bolts 1/2" x 1 1/2" (9), 1/2" lockwasher (11) and 1/2" nut (12) in each side of the vehicle frame and finger tighten all fasteners.
4. Open two holes in cross member to 17/32". Attach thrust arm (8)(8a) to mounting bracket (7) (see correct orientation on the drawing) with 5/8" x 1 3/4" bolt (13), 5/8" lockwasher (14) and 5/8" nut (15). Install 1/2" bolt with welded handle (10) through existing opening in cross member and attach thrust arm to cross member using 1/2" lockwasher (11) and 1/2" nut (12)(Note: Spacer (23) needs to be installed - see the drawing). Finger tighten fasteners that the trust arm is tight , up against cross member.
5. Drill 17/32" hole in cross member using hole in thrust arm (8)(8a) as guide. Insert 1/2" bolt with welded handle (10), 1/2" lockwasher (11) and 1/2" nut (12) and finger tighten all fasteners.
6. Torque all fasteners using torque chart.
7. Install lift frame (1). Slide lift frame (1) inside of mounting bracket (7). Insert mounting pin (6) in top holes of the mounting bracket (7).
8. Fasten lift channel (2) and lift cylinder to the lift frame (1) using 3/4"x 3 1/2" bolts (3) and 3/4" locknut (5). Use 3/4" rivet and lynch pin to attach lift cylinder (lift cylinder needs to be installed after power unit is installed). NOTE: Do not over tighten as this assembly must be able to pivot.
9. Torque all fasteners according to torque chart.

10. Use 1/4"x1" bolt (19), 1/4" lockwasher (21) and 1/4" hex nut (20) to fasten plow guides (22) to blade.
11. Return any unused items to the customer so that the vehicle can be returned to its original condition if the snowplow is removed.
12. See separate installation instructions for the hydraulic pump, wiring and controls.

TORQUE CHART (FT. LB.)		
SIZE	GRADE 5 BOLT 	GRADE 8 BOLT 
1/4 - 28	8	11
5/16 - 24	15	22
3/8 - 24	28	40
7/16 - 20	44	63
1/2 - 20	69	97
5/8 - 18	138	195
3/4 - 16	241	341
<small>Note: Torque values are for plated bolts only</small>		