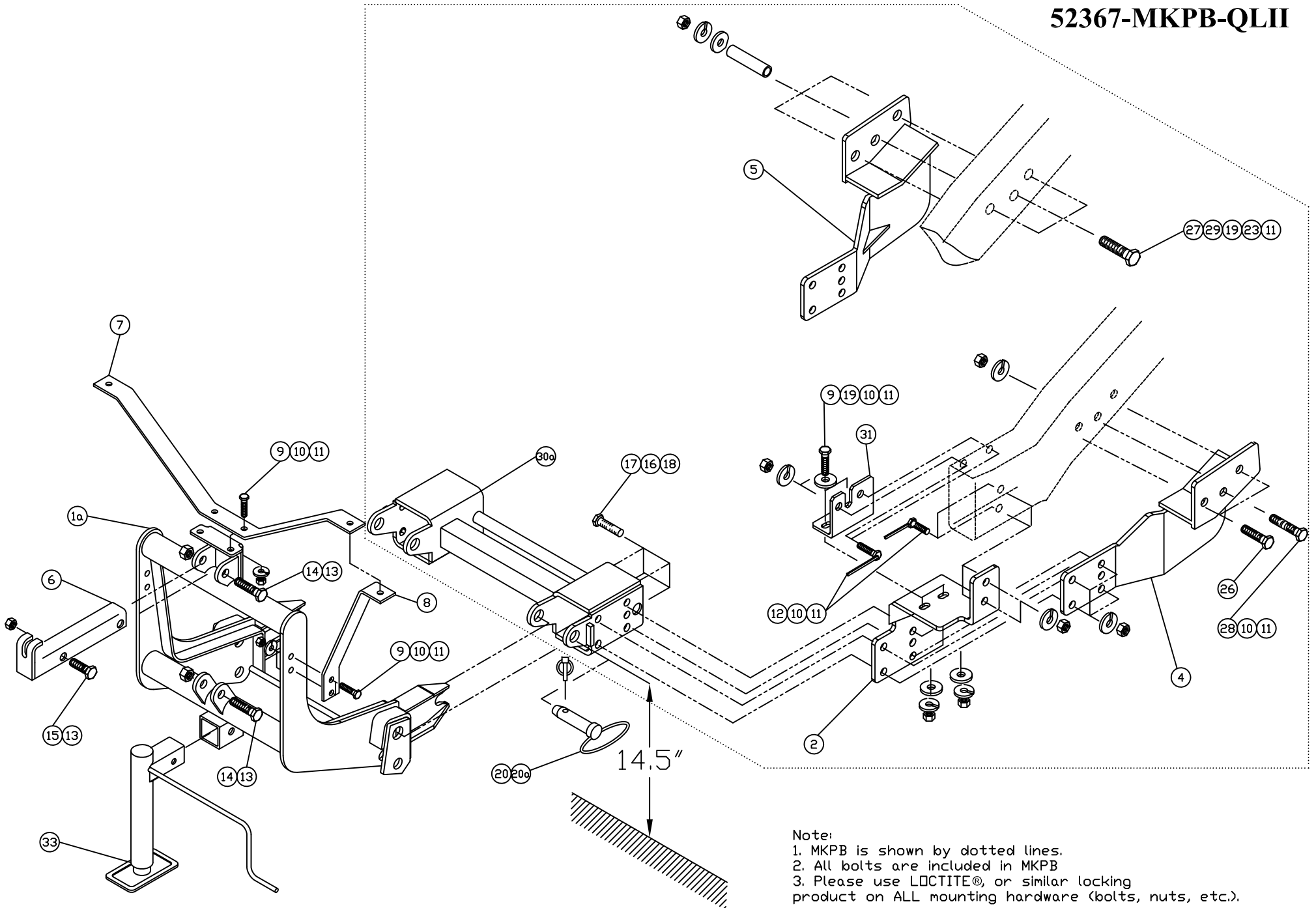


MOUNTING KIT
52367-MKPB
C3500HD Classic 4x2 1991-2000

Note: For the snowplow lights this kit requires: 800067 or 800037AXV Light kit, and Adapter kit 767054 (vehicle's headlamp bulb H9005/H9006) - may be required

MOUNTING KIT 52367-MKPB-QLII



Note:
 1. MKPB is shown by dotted lines.
 2. All bolts are included in MKPB
 3. Please use LOCTITE® or similar locking product on ALL mounting hardware (bolts, nuts, etc.).

Arctic Equipment Manufacturing Corporation
 Mounting kit 52367-MKPB

52367-MKPB R10
 INST0027

Mounting Kit 52367-MKPB								
Item	Part #	Description	MKPB	MKPB -QLII	QL- MKB	QLII- MKB	QLII -HI	QLII- HI- DLC
1*	52162-C	Lift Frame			1			
1a	53170-D-GA	Lift Frame, QUIK*LINK ® II Galvanized				1		
1b*	53171-D-GA	Lift Frame, QUIK*LINK ® II-Hi boy Galvanized						1
2	52397-01-C	Mounting Bracket Driver Side	1					
3*	52397-02-C	Mounting Bracket Curb Side	1					
4	52395-01-D	Thrust Am Driver Side	1					
5	52391-02-D	Thrust Arm Curb Side	1					
6	50069-C-GA	Lift Channel Galvanized				1		
6a*	52612-B-GA	Lift Channel (2" cylinder) Galvanized						1
7	52209-B-GA	Light Antler Galvanized				1		
8	52208-B-GA	Light Brace Galvanized				2		
9	HH-00972-090	½"x1.1/2" Bolt	10					
10	HH-00457-001	½" Lock washer	22					
11	HH-00460-002	½" Hex nut	22					
12	52575-A	½"x1.1/2" Bolt with welded handle	8					
13	HH-00973-007	¾" Thin Collar Locknut	3					

Arctic Equipment Manufacturing Corporation
Mounting kit 52367-MKPB

52367-MKPB R10
INST0027

Mounting Kit 52367-MKPB								
Item	Part #	Description	MKPB	MKPB -QLI	QL- MKB	QLI- MKB	QLI- HI	QLI- HI- DLC
14	HH-00972-153	3/4"x3.1/2" Bolt	2					
15	HH-00972-149	3/4"x2.1/2" Bolt	1					
16	HH-00457-003	5/8" Lock washer	8					
17	HH-00972-131	5/8" x 2 1/4" Bolt	8					
18	HH-00460-001	5/8" Hex Nut	8					
19	HH-00341-006	1/2" Flat washer	11					
20	WA-34704-M	Mounting Pin, QLI, Ass'y			2			
20a	52348-M	Mounting Pin Ass'y					2	
22*	HH-00293-006	1/4"x1" Bolt	4					
23*	HH-00457-006	1/4" Lock washer	4					
24*	HH-00341-002	1/4" Flat washer	4					
25*	HH-00294-001	1/4" Hex nut	4					
26	HH-00909-101	14mm x 140 mm bolt	2					
27	HH-00972-100	1/2" x 4" UNF Bolt	3					
28	HH-00972-102	1/2" x 5" UNF Bolt	1					
29	52586-N	3 1/2" Spacer	3					
30*	52166-C	Spreader Bar	1					

Mounting Kit 52367-MKPB								
Item	Part #	Description	MKPB	MKPB -QLII	QL- MKB	QLII- MKB	QLII -HI	QLII- HI- DLC
30a	52363-C	Spreader Bar QLII		1				
31	52398-01-A	Mounting Angle Driver Side	1					
32	52398-02-A	Mounting Angle Curb Side	1					
33	52373-M	Jack Assembly					1	
34*	50999-B	Blade guides					2	
35*	HH-00972-155	3/4" x 4" UNF Cap screw						2

QUIK*LINK is a trademark of Arctic Equipment Manufacturing Corporation

Note: * These items are not shown on the drawing.

GENERAL

Customer must be aware of following:

Arctic Equipment Manufacturing Corporation (Arctic) does not assume liability for damage to your motor vehicle resulting from the attachment or use of an Arctic snowplow. The purchaser assumes all vehicle risk associated with the attachment and operation of this snowplow.

The Arctic snowplow you purchase must be used only on vehicles equipped with the manufacturer’s snow plow preparation package. Snow plowing without the original plow preparation package may damage your vehicle. The added weight may impair the operation and control of your vehicle. Snow plowing with a vehicle not recommended for that purpose by the manufacturer may void your new vehicle warranty. If your vehicle is not equipped with an original snow plow preparation package, additional equipment may be necessary before snow plowing. Please consult your vehicle and snowplow dealers prior to the purchase and installation of the snowplow. The installation of such parts however is not a full substitute for the original equipment snowplow preparation package.

Before drilling any holes in the firewall or frame, move brake lines, fuel lines and/or electrical wiring from the path of the drill. Brake and fuel lines must also be clear of any fasteners.

All bolts should be installed from the inside of the truck frame so that the lock washers and nuts are accessible for re tightening.

If a slotted hole in the truck frame is utilized, then a flat washer must be used under the bolt head. If a flat washer is used under a lock washer use LOCTITE #242. Also use this LOCTITE #242 if existing (vehicle) bolts and nuts are used.

General order of installation:

- install all components (mounting bracket, thrust arm and spreader bar) and all fasteners finger tight (snug) through existing holes,
- drill necessary holes and
- tighten all hardware.



After first use, re-tighten all mounting bolts, thereafter check mounting bolt tightness periodically.

Before proceeding, read instructions carefully and familiarize yourself with the components and hardware.

INSTALLATION INSTRUCTIONS

1. Do not remove bumper.
2. Fasten mounting brackets (2) & (3) to vehicle frame using 1/2" x 1 1/2" welded bolts (12), lock washer (10) and hex nut (11).
3. Install mounting angle (31) & (32) to the mounting bracket (2) & (3) using 1/2" bolt (9), two flat washers (19), lock washer (10) and nut (11). Fasten mounting angle (31) & (32) to the frame by welded bolt (12), lock washer (10) and nut (11). Drill 17/32" hole in frame using hole in mounting angle as a guide. Install welded bolt (12), lock washer (10) and hex nut (11).

4. Fasten spreader bar (30a) and thrust arms (4) & (5) to mounting bracket using 5/8"x2 1/4" bolt (17), lock washer (16) and hex nut (18). The spreader pin hole should be located 14-1/2" (+/- 1/2") off of the ground.
5. Using two 14 mm bolts (26) install left hand side thrust arm (4)(existing vehicle bolts need to be removed). Apply LOCTITE 242 on these two bolts. Drill 17/32" hole through frame (both sides of frame) using hole in thrust arm as a guide. Install 1/2" x 5" bolt (28), lock washer (10) and hex nut (11) through drilled hole.
6. Right hand side thrust arm needs to be tight against the bottom of vehicle frame. Drill three holes 17/32" on the side of the frame using holes in mounting bracket as guide through frame (both sides of frame). After that, drill three holes 15/16" using holes in mounting bracket as guide only through one side. Insert 1/2" bolt (28) from inside frame and slide pipe sleeve (29) from outside of the frame over bolts, and also flat washer (19), lock washer (10) and nut (11).
7. Tighten all hardware. Torque all fasteners according to torque chart.
8. Install lift frame (1a),(1b). Slide inside of spreader bar (30a). Insert mounting pin (20a) in the top holes of the spreader bar.
9. Fasten the light antler (7) to the top of the lift frame, using 1/2" x 1 1/2" bolt (9), lock washer (10) and nut (11). **DO NOT TIGHTEN.** Fasten the light brace (8) to both sides of the lift frame, using 1/2" x 1 1/2" bolt (9), lock washer (10) and nut (11). **DO NOT TIGHTEN.** Install plow lamps so that the stud is through the light antler (7) and light brace (8).
10. Tighten all light mounting hardware.
11. Fasten lift channel (6) and lift cylinder (or power unit) to the lift frame (1) using 3/4"x3.1/2" bolts (14) and 3/4" locknut (13). Use 3/4"x2.1/2" bolt (15) and 3/4" locknut (13) to attach lift cylinder to lift channel.
 NOTE: Do not over tighten as this assembly must be able to pivot.
12. Use 1/4"x1" bolts (22) with lock washer (23), flat washers (24), and hex nuts (25) to fasten blade guides to plow.

TORQUE CHART (FT. LB.)		
SIZE	GRADE 5 BOLT 	GRADE 8 BOLT 
1/4 - 28	8	11
5/16 - 24	15	22
3/8 - 24	28	40
7/16 - 20	44	63
1/2 - 20	69	97
5/8 - 18	138	195
3/4 - 16	241	341
<i>Note:</i> Torque values are for plated bolts only		

13. See separate installation instructions for the hydraulic pump, wiring and controls.
14. Return any unused items to the customer so that the vehicle can be returned to its original condition if the snowplow is removed.