

MOUNTING KIT

Ford F150 (4x4) (92-96)
F250/Bronco (4x4) (92-98)
Ford F350/F450 (4x4) (4x2) (92-98)

52128-M

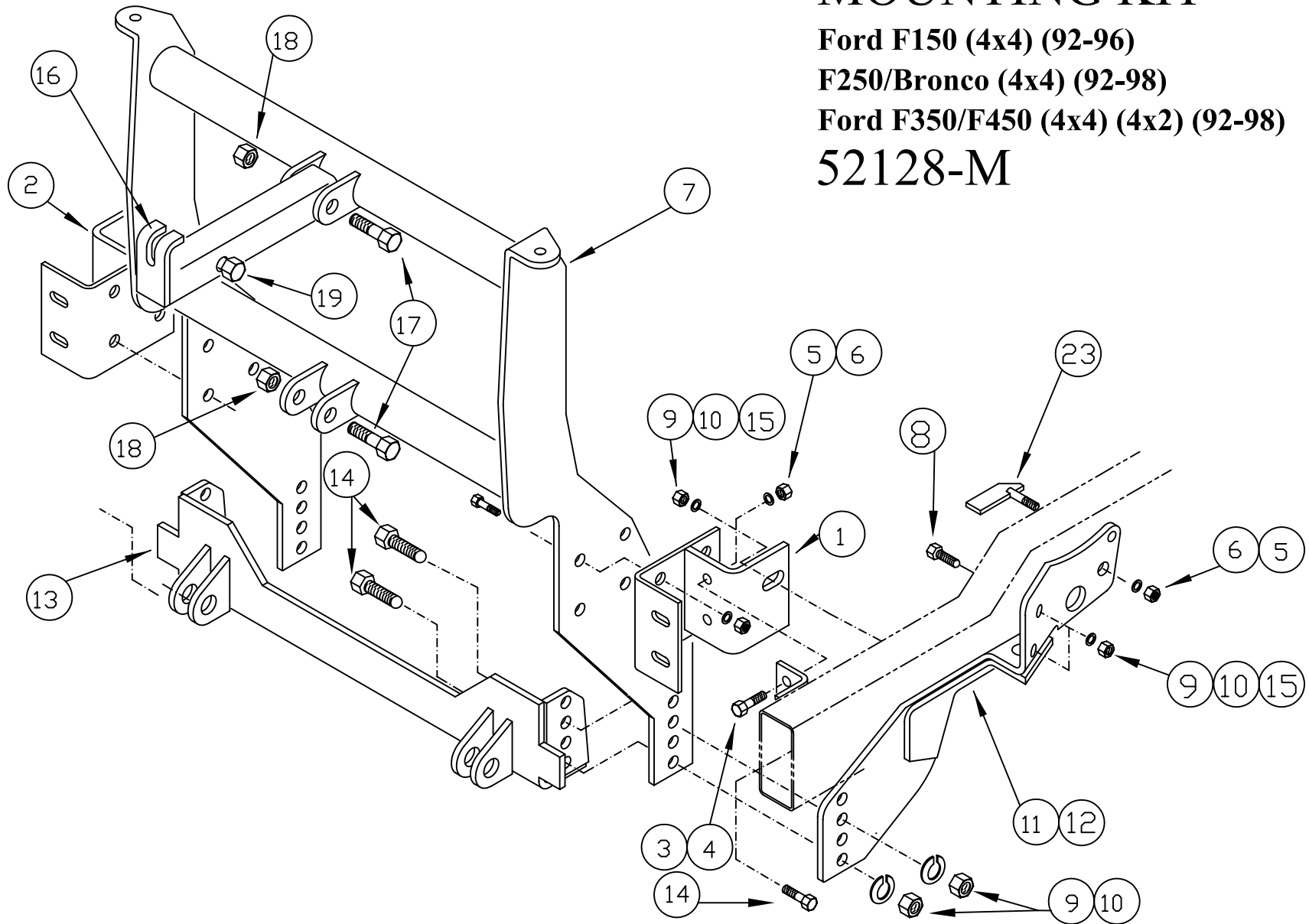
MOUNTING KIT

Ford F150 (4x4) (92-96)

F250/Bronco (4x4) (92-98)

Ford F350/F450 (4x4) (4x2) (92-98)

52128-M



Mounting Kit 52128-M			
ITEM	PART NUMBER	DESCRIPTION	QTY
1	52122-01-C	Lift Frame Mounting Bracket Driver Side	1
2	52122-02-C	Lift Frame Mounting Bracket Curb Side	1
3	HH-00972-090	½"-20x1.1/2" Cap screw	12
4	HH-00341-006	½" Flat washer	4
5	HH-00457-001	½" Lock washer	14
6	HH-00460-002	½"-20 Hex Nut	14
7	52124-C	Lift Frame	1
8	HH-00972-129	5/8"x1.3/4" UNF Cap screw	4
9	HH-00457-003	5/8" Lock washer	10
10	HH-00460-001	5/8"-18 Hex Nut	10
11	52126-01-B	Thrust Arm Driver Side	1
12	52126-02-B	Thrust Arm Curb Side	1
13	52034-C	Spreader Bar	1
14	HH-00972-131	5/8"-18x2.1/4" Cap screw	6
15	HH-00341-008	5/8" Flat washer	4
16	50069-C	Lift Channel	1
17	HH-00972-153	3/4"-16x3.1/2" Cap screw	2
18	HH-00973-007	3/4"-16 Thin Collar Locknut	3
19	HH-00972-149	3/4"-16x2.1/2" Cap screw	1

20	HH-00141-029	3/16"-32x3/4" Machine Screw	2
21	HH-00457-010	3/16" Lock washer	2
22	HH-00322-011	3/16"-32 Hex Nut	2
23	52096-A	Thrust Arm Fastener	2
24	HH-00293-006	1/4"x1" UNC Cap screw	4
25	HH-00457-006	1/4" Lock washer	4
26	HH-00341-002	1/4" Flat washer	4
27	HH-00294-001	1/4" UNC Hex nut	4

GENERAL

Customer must be aware of following:

Arctic Equipment Manufacturing Corporation (Arctic) does not assume liability for damage to your motor vehicle resulting from the attachment or use of an Arctic snowplow. The purchaser assumes all vehicle risk associated with the attachment and operation of this snowplow.

The Arctic snowplow you purchase must be used only on vehicles equipped with the manufacturer's snow plow preparation packages. Snow plowing without the original plow preparation package may damage your vehicle. The added weight may impair the operation and control of your vehicle. Snow plowing with a vehicle not recommended for that purpose by the manufacturer may void your new vehicle warranty. If your vehicle is not equipped with an original snow plow preparation package, additional equipment may be necessary before snow plowing. Please consult your vehicle and snowplow dealers prior to the purchase and installation of the snowplow. The installation of such parts however is not a full substitute for the original equipment snowplow preparation package.

Before drilling any holes in the firewall or frame, move brake lines, fuel lines and/or electrical wiring from the path of the drill. Brake and fuel lines must also be clear of any fasteners.

All bolts should be installed from the inside of the truck frame so that the lock washers and nuts are accessible for re-tightening.

If a slotted hole in the truck frame is utilized, then a flat washer must be used under the bolt head. If a lock washer is used with a flat washer please apply blue Loctite 242 to bolt also.

Do not tighten any bolt assemblies until all fasteners and components are installed, unless otherwise specified.

After first use, retighten all mounting bolts, thereafter check mounting bolt tightness periodically.

Before proceeding, read instructions carefully and familiarize yourself with the components and hardware.

INSTALLATION INSTRUCTIONS

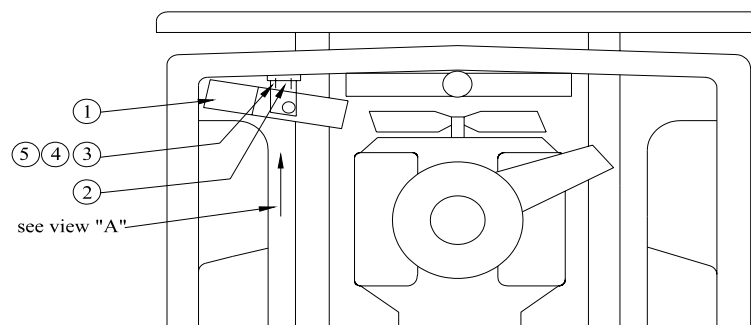
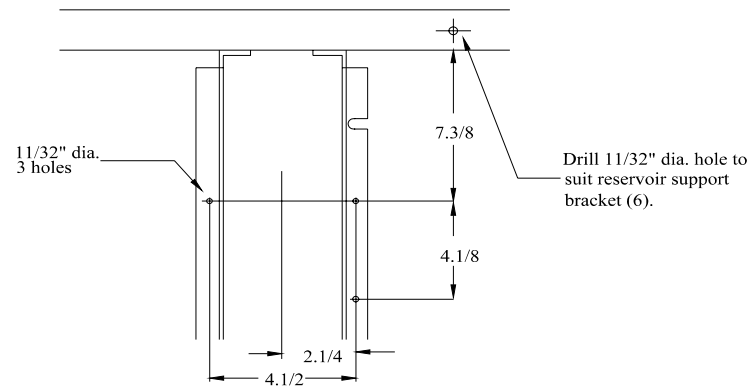
1. Remove the bumper from the vehicle at the point where the bumper brackets attach to the truck frame. Store the bumper in a place where it will not be damaged.
2. Loosely fasten the lift frame mounting brackets (1), (2) to the truck frame using the ½"x1.3/4" cap screws (3), flat washers (4), lock washers (5) and hex nuts (6) and 5/8"x1.3/4" cap screws (8), lock washers (9), flat washers (15) and hex nuts (10).
3. Attach the lift frame (7) to the lift frame mounting brackets using the ½"x1.3/4" capscrews (3), lockwashers (5) and hex nuts (6).
4. Mount the thrust arms (11), (12) to the lift frame (7). At the same time, insert the spreader bar (13) and locate it such that there is 10.1/2" ± ½" between the spreader pin hole and the ground. Use the 5/8"x2.1/4" capscrews (14), lockwashers (9) and hex nuts (10) to assemble both the thrust arms and spreader bar to the lift frame.
5. Insert thrust arm fasteners (25) into the available slot in the truck frame. Fasten thrust arms with ½" hex nut (6) so that they fit tightly to the truck frame sides and bottom. Once located, mark and drill one 21/32" hole per side through the truck frame using the holes in the thrust arm as a guide. Insert the 5/8"x1.3/4" cap screws (14), lock washers (9) and hex nuts (10).
NOTE: It is important that there be sufficient space between the thrust arm gusset and leaf spring for spring travel. There should be approximately 1" of vertical spring travel. If there is not enough space, the gusset will have to be notched.
6. Snug up all fasteners, DO NOT TIGHTEN, and check to see that there is sufficient space between the upper lift frame tube and the hood. If properly installed, a level placed against the two horizontal tubes should form a vertical line.

7. Tighten all fasteners according to the torque chart.
8. Install the bumper using the original bumper mounting hardware. Locate the bumper at the same height as originally installed and up tight against the lift frame.
9. Install the lift channel (16) and lift cylinder to the lift frame using 3/4"x3.1/4" capscrews (17) and locknuts (18). Use the 3/4"x2.1/2" capscrews (19) and locknut (18) to attach the lift cylinder to the lift channel.
NOTE: Do not over tighten this assembly as it must be able to pivot.
10. Mount the control box on the fuse panel cover to the left of the steering column. Use the 3/16"x1" machine screws (21), lockwashers (22) and hex nuts (23) to mount the control box.
11. Return any unused items such that the vehicle can be returned to its original condition if the snowplow is removed.
12. See separate installation instructions for the hydraulic pump, wiring and controls.

HYDRAULIC PUMP INSTALLATION

1. Remove windshield washer reservoir and set it off to the side.
2. Drill three 11/32" holes as per the drawing to mount the pump bracket.
3. Bolt the pump (1) to the pump mounting bracket (2) using the 5/16"x1" cap screws (3), lock washers (4) and hex nuts (5).
4. Install the pump/bracket assembly in the truck using the 5/16"x1" cap screws (3), lock washers (4) and hex nuts (5). Complete all wiring to be done before reinstalling the windshield washer reservoir.
5. Reinstall the windshield washer reservoir. Attach the reservoir support bracket (6) to an existing hole on the reservoir bracket and to the radiator support (see drawing), using a 5/16"x1" cap screw (3), lock washer (4) and lock nut (5).
6. To complete the installation, see "Arctic M-683 Hydraulic Installation."

VIEW "A"
(hole location detail)



Arctic Equipment Manufacturing Corporation
Mounting kit 52128-M

52128-M R03
April 23, 2002

Item	Part Number	Description	Qty
1	50931-M	M-683 Hydraulic Pump	1
2	52022-C	Pump Mounting Bracket	1
3	HH-00293-028	5/16"-18x1" Cap screw	8
4	HH-00457-007	5/16" Lock washer	8
5	HH-00294-002	5/16"-18 Hex Nut	8
6	52023-B	Reservoir Support Bracket	1
7	HH-00341-003	5/16 Flat Washer	8