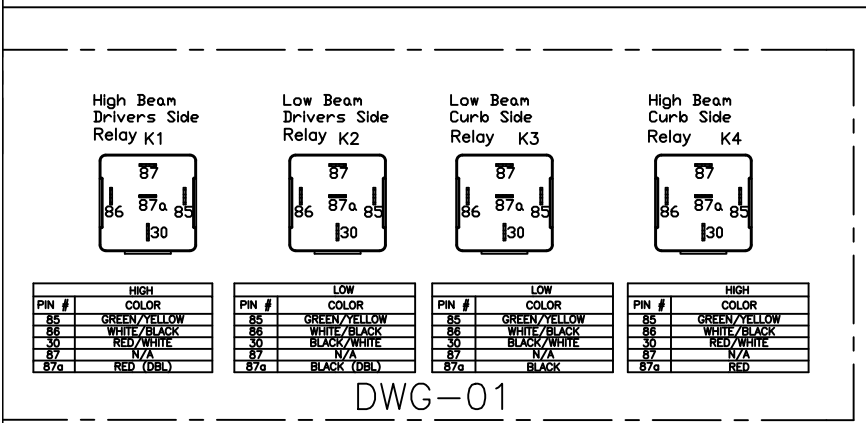
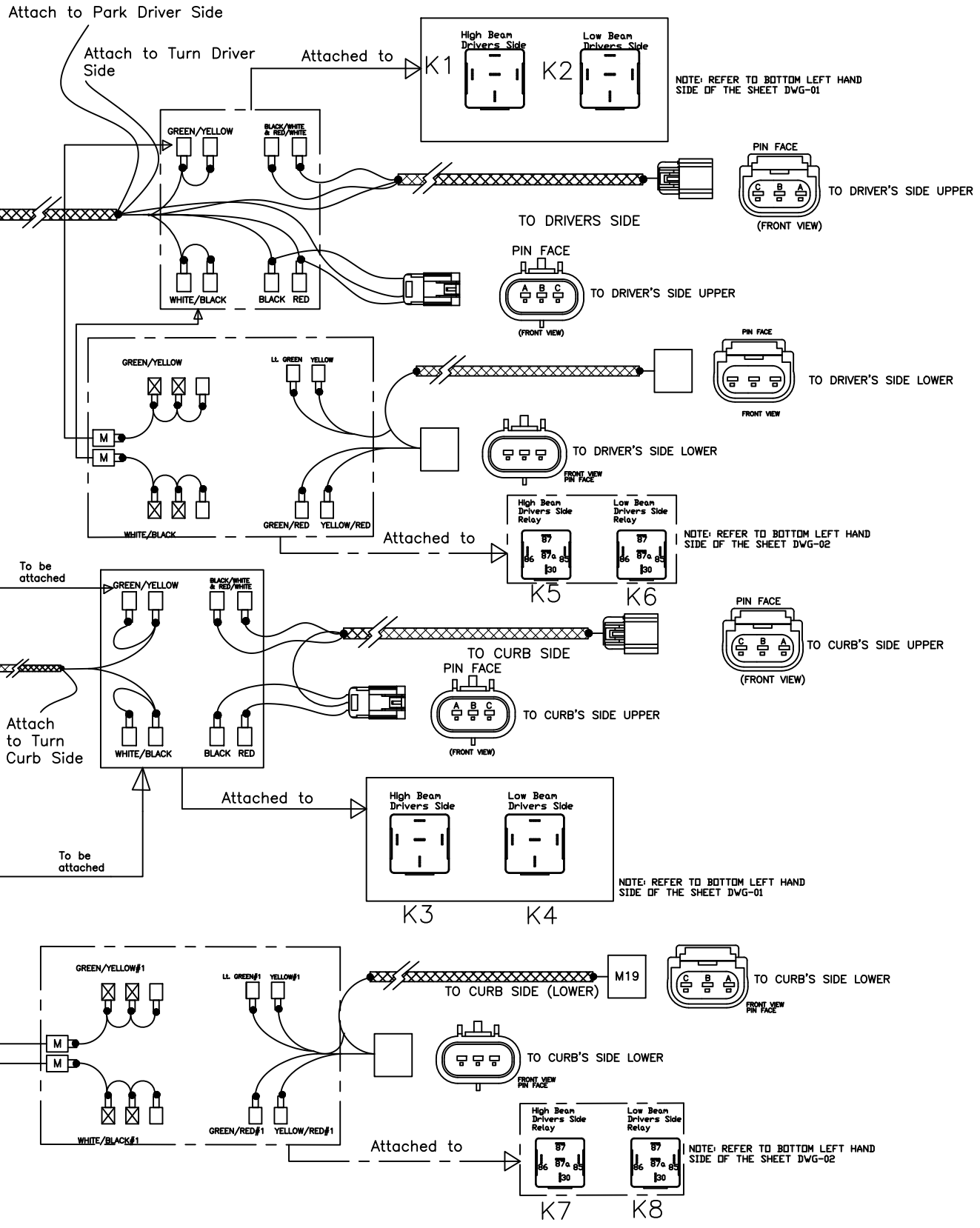
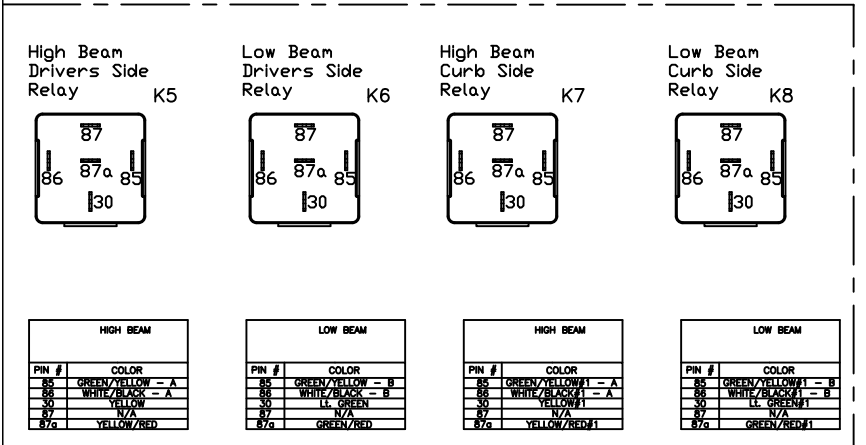


PIN FACE  
(FRONT VIEW)



DWG-01



DWG-02