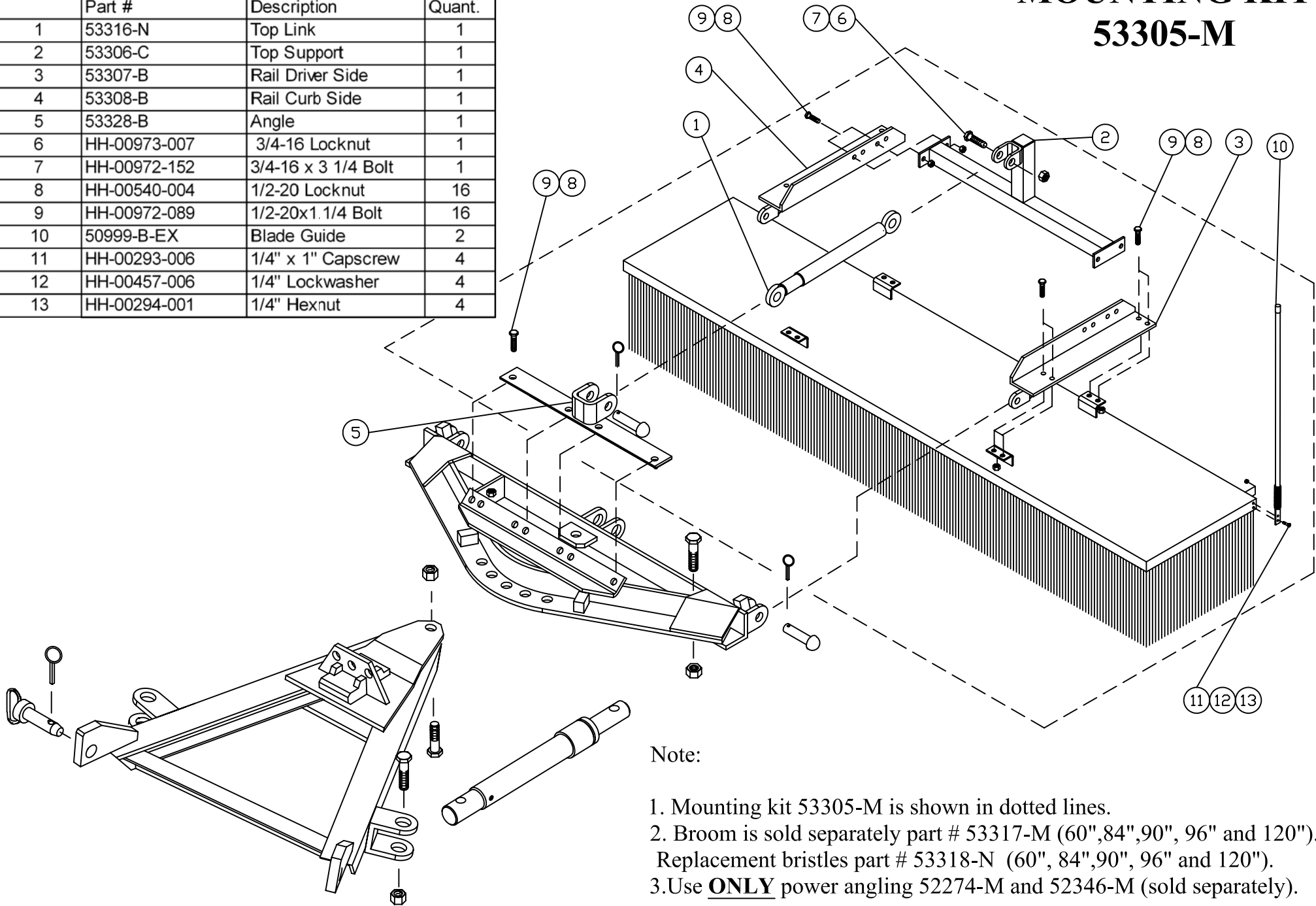


53305-M Broomer Kit			
	Part #	Description	Quant.
1	53316-N	Top Link	1
2	53306-C	Top Support	1
3	53307-B	Rail Driver Side	1
4	53308-B	Rail Curb Side	1
5	53328-B	Angle	1
6	HH-00973-007	3/4-16 Locknut	1
7	HH-00972-152	3/4-16 x 3 1/4 Bolt	1
8	HH-00540-004	1/2-20 Locknut	16
9	HH-00972-089	1/2-20x1 1/4 Bolt	16
10	50999-B-EX	Blade Guide	2
11	HH-00293-006	1/4" x 1" Capscrew	4
12	HH-00457-006	1/4" Lockwasher	4
13	HH-00294-001	1/4" Hexnut	4

MOUNTING KIT 53305-M



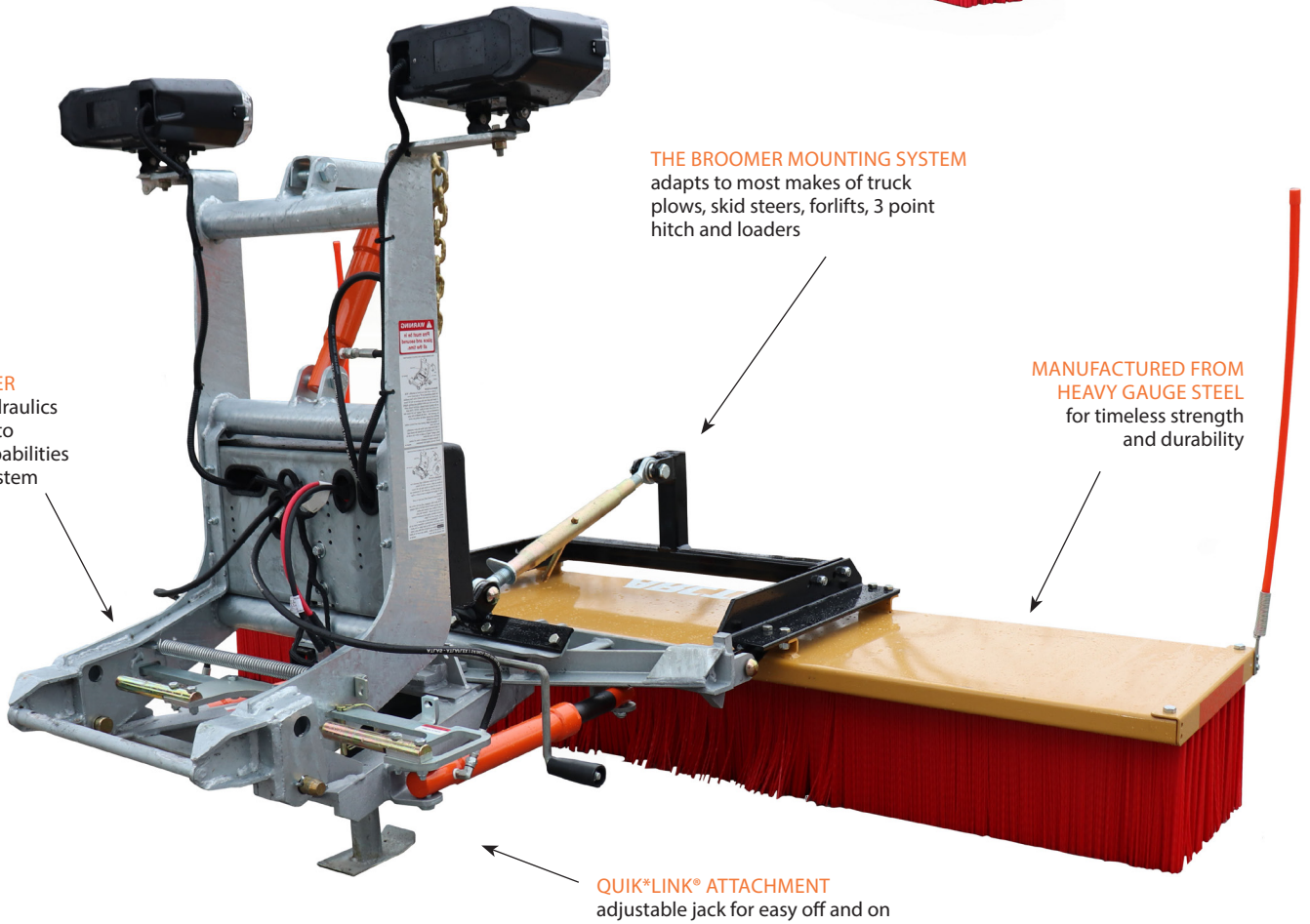
Note:

1. Mounting kit 53305-M is shown in dotted lines.
2. Broom is sold separately part # 53317-M (60", 84", 90", 96" and 120").
Replacement bristles part # 53318-N (60", 84", 90", 96" and 120").
3. Use **ONLY** power angling 52274-M and 52346-M (sold separately).

SWEEPING YOUR RUBBLE AWAY.

If you have a parking lot full of gravel, a driveway full of leaves, or a side road covered with dirt than the Power Angled Broomer makes cleaning up a snap.

TEN ROWS OF REPLACEABLE POLYPROPYLENE BRISTLES run the full width of the unit pushing material forward for a clean sweep



THE BROOMER uses your hydraulics and controls to maximize capabilities of existing system

THE BROOMER MOUNTING SYSTEM adapts to most makes of truck plows, skid steers, forlifts, 3 point hitch and loaders

MANUFACTURED FROM HEAVY GAUGE STEEL for timeless strength and durability

QUIK*LINK® ATTACHMENT adjustable jack for easy off and on

ARCTIC BROOMER®

Length

60"

84"

90"

96"

120"

TOUGHER THAN A CANADIAN WINTER



The Broomer Makes Cleanup Quick and Easy

Use your truck plow hydraulics and controls, or connect to:
Tractors, Skid Steers, Bucket Loaders

- | | |
|------------------|--------------|
| Agriculture | Industry |
| Construction | Airports |
| Landscaping | Cemeteries |
| Municipalities | Race Tracks |
| Road Maintenance | Golf Courses |



↓ 1) Pick your size

Broom Kit	Part#
60" Broomer	53317-60-M
84" Broomer	53317-84-M
90" Broomer	53317-90-M
96" Broomer	53317-96-M
10' Broomer	53317-120-M



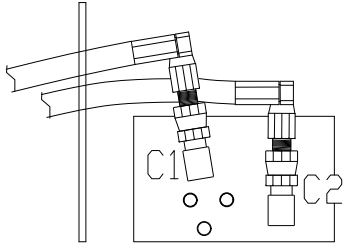
↓ 2) Pick your mount

Mount	Part#
Arctic straight blade full trip mount	53305-M
BLM-02 Bucket Lip Mount HD	180415
Forklift Mount	180417
Broomer 3 PT Hitch Mount	180419
Bobtatch Fixed Mount (skid steer)	180450

↪ 3) Sweep!



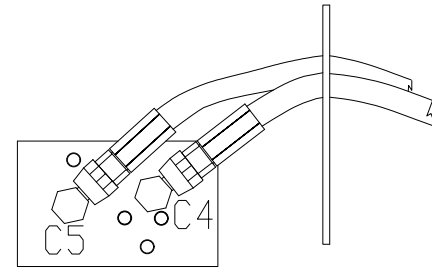
V plow power Unit to be used to operate a Broomer



VIEW A-A

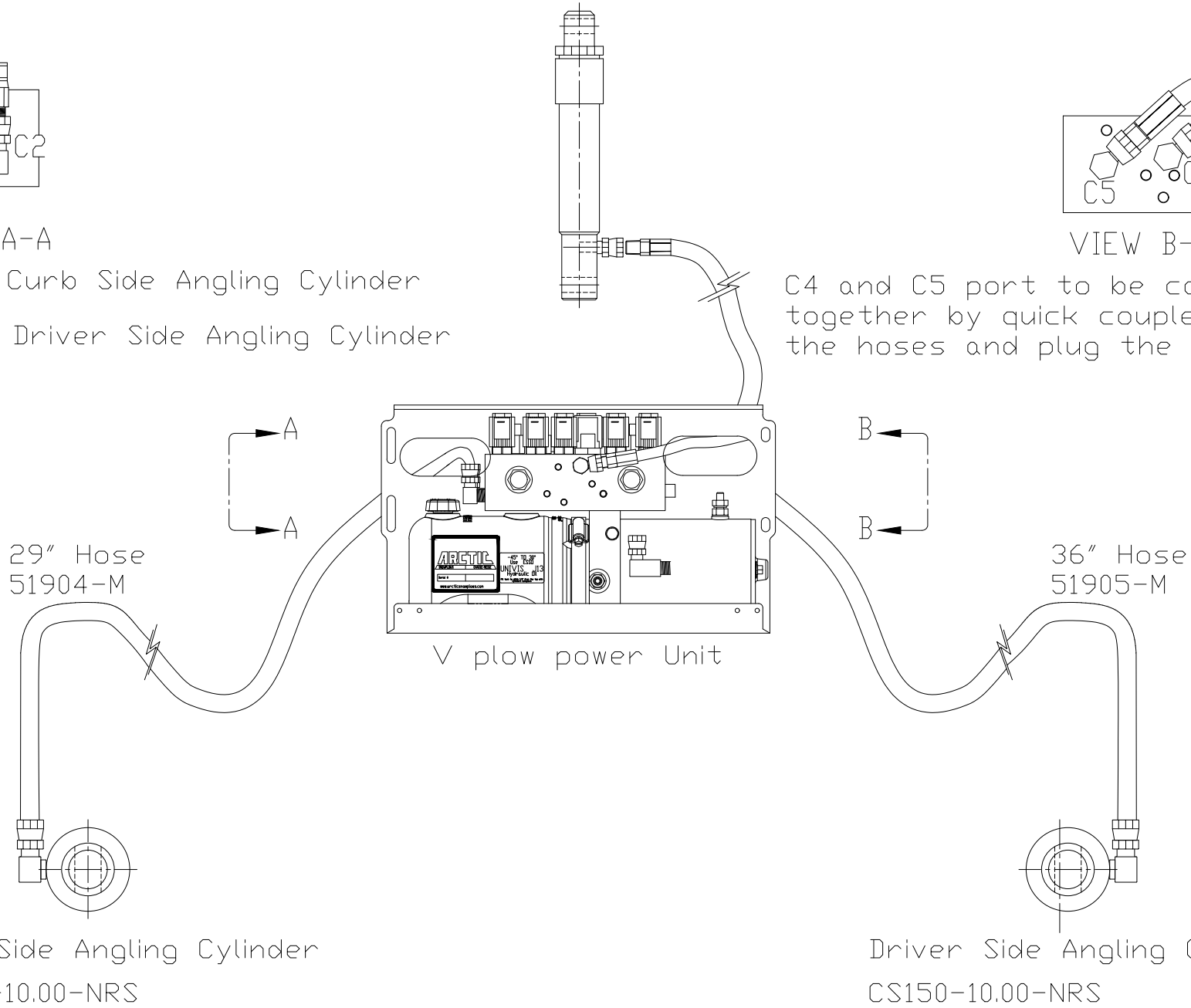
C1 port to Curb Side Angling Cylinder

C2 port to Driver Side Angling Cylinder



VIEW B-B

C4 and C5 port to be connected together by quick coupler or remove the hoses and plug the ports



29" Hose
51904-M

36" Hose
51905-M

V plow power Unit

Curb Side Angling Cylinder
CS150-10.00-NRS

Driver Side Angling Cylinder
CS150-10.00-NRS